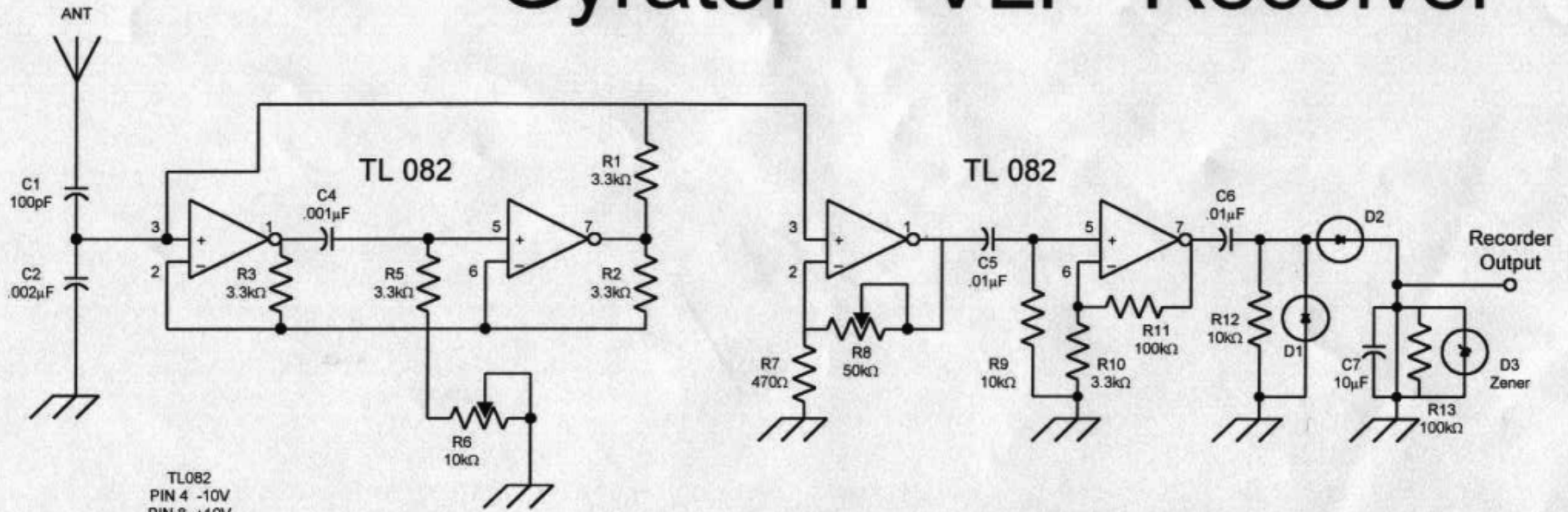
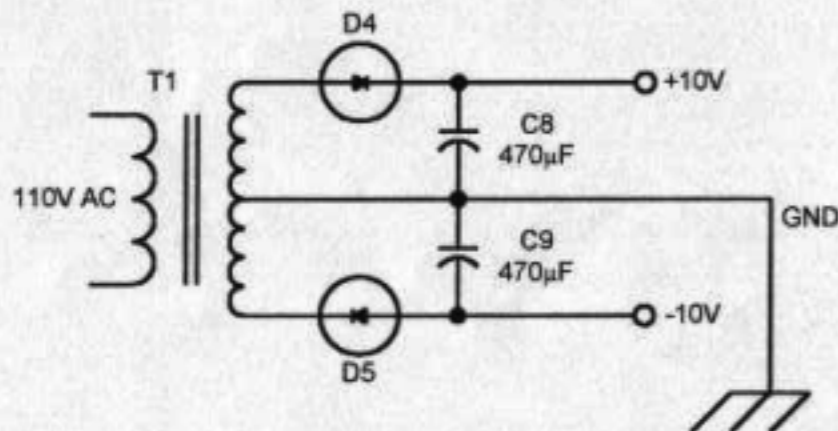


Gyrator II VLF Receiver



Parts List: Gyrator II VLF Receiver

Bipolar Power Supply



Design By Arthur J. Stokes, 1999

Schematic Label	Component	Radio Shack Part Number
R1,R2,R3,R4,R10	3.3kΩ, 1/4W	271-1328
R9,R12	10kΩ, 1/4W	271-1335
R11,R13	100kΩ, 1/4W	271-1347
R7	470Ω, 1/4W	271-1317
R6	10kΩ linear pot	271-1715
R8	50kΩ linear pot	271-1716
C1	100pF polypropylene cap	(see Mouser Electronics)
C2	Two parallel .001 µF polypropylene capacitors	-
C4	.001µF polpypropylene cap	-
C5,C6	.01µF ceramic capacitors	272-131
C7	10µF electrolytic capacitor	272-1013
C8,C9	470µF electrolytic capacitor	272-1030
D1,D2	1N34 diode	276-1123
D3	5.1V Zener diode	276-565
D4,D5	1N4001 silicon diodes	276-1101
TL082	Dual biFET op-amp	276-1715
T1	12 Volt center-tapped transformer	273-1365
	Metal cabinet, BNC connector, 1/8 inch audio connector, knobs, power cord and misc. hardware	