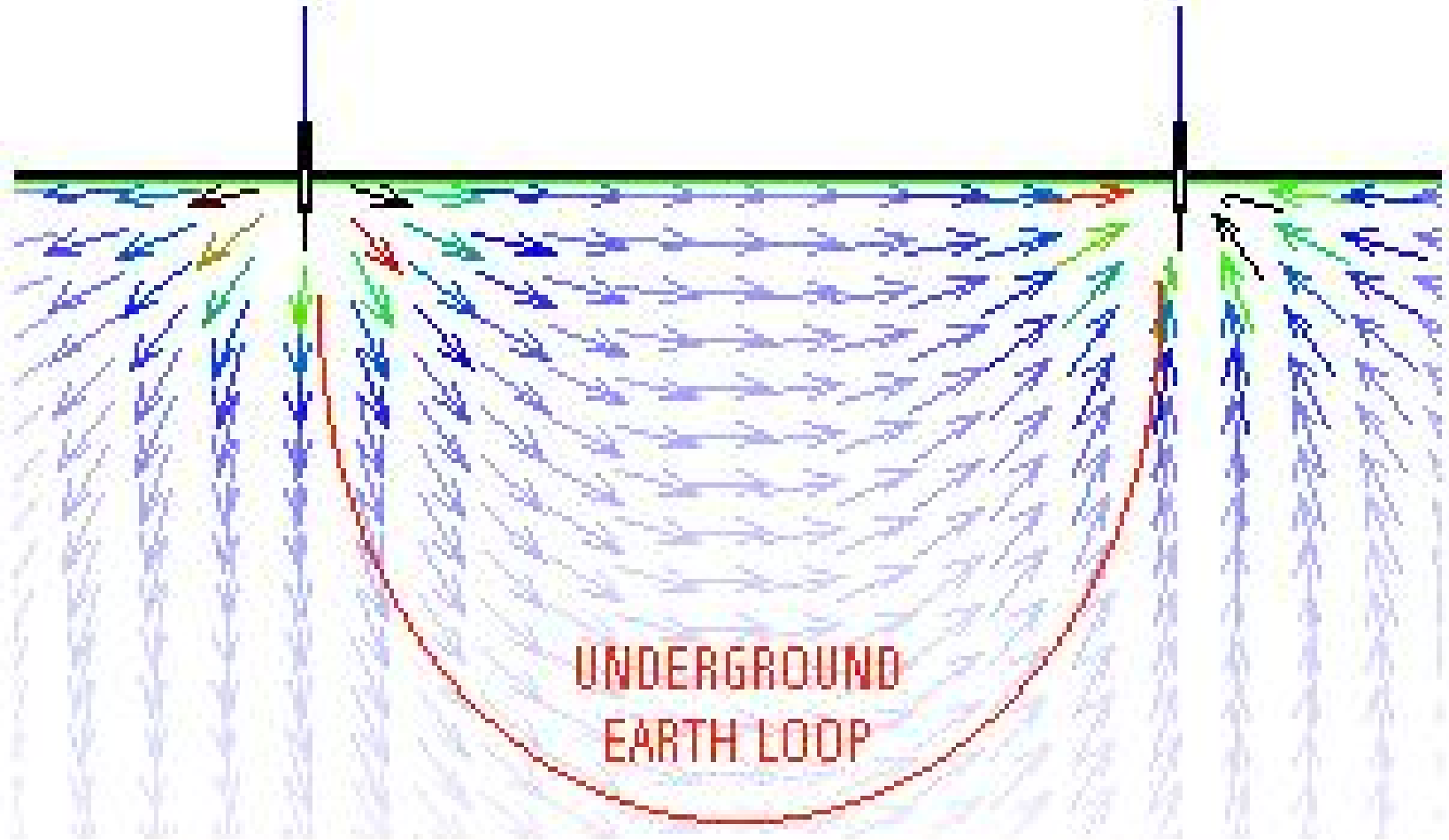


Earth Probe A

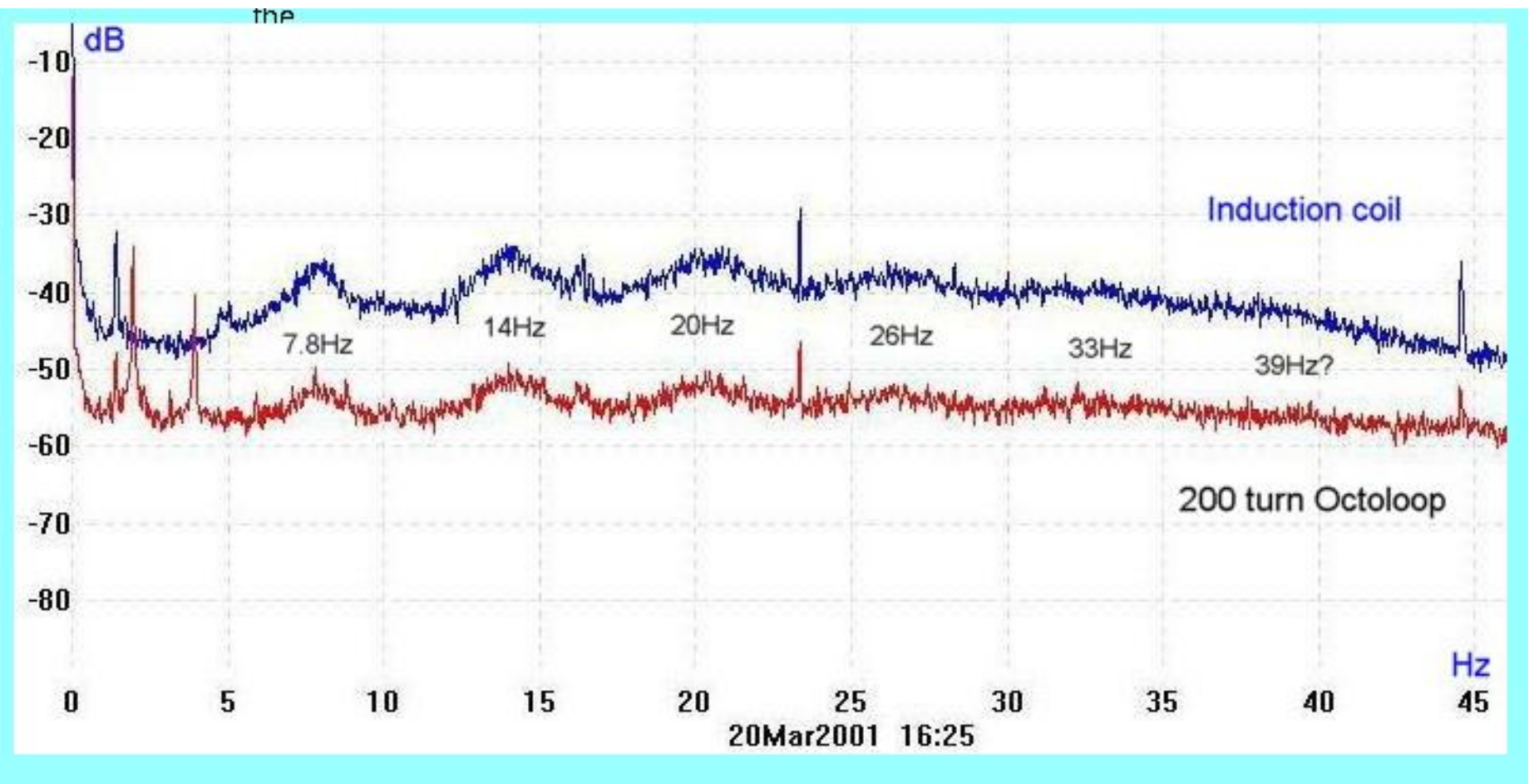
Earth Probe B

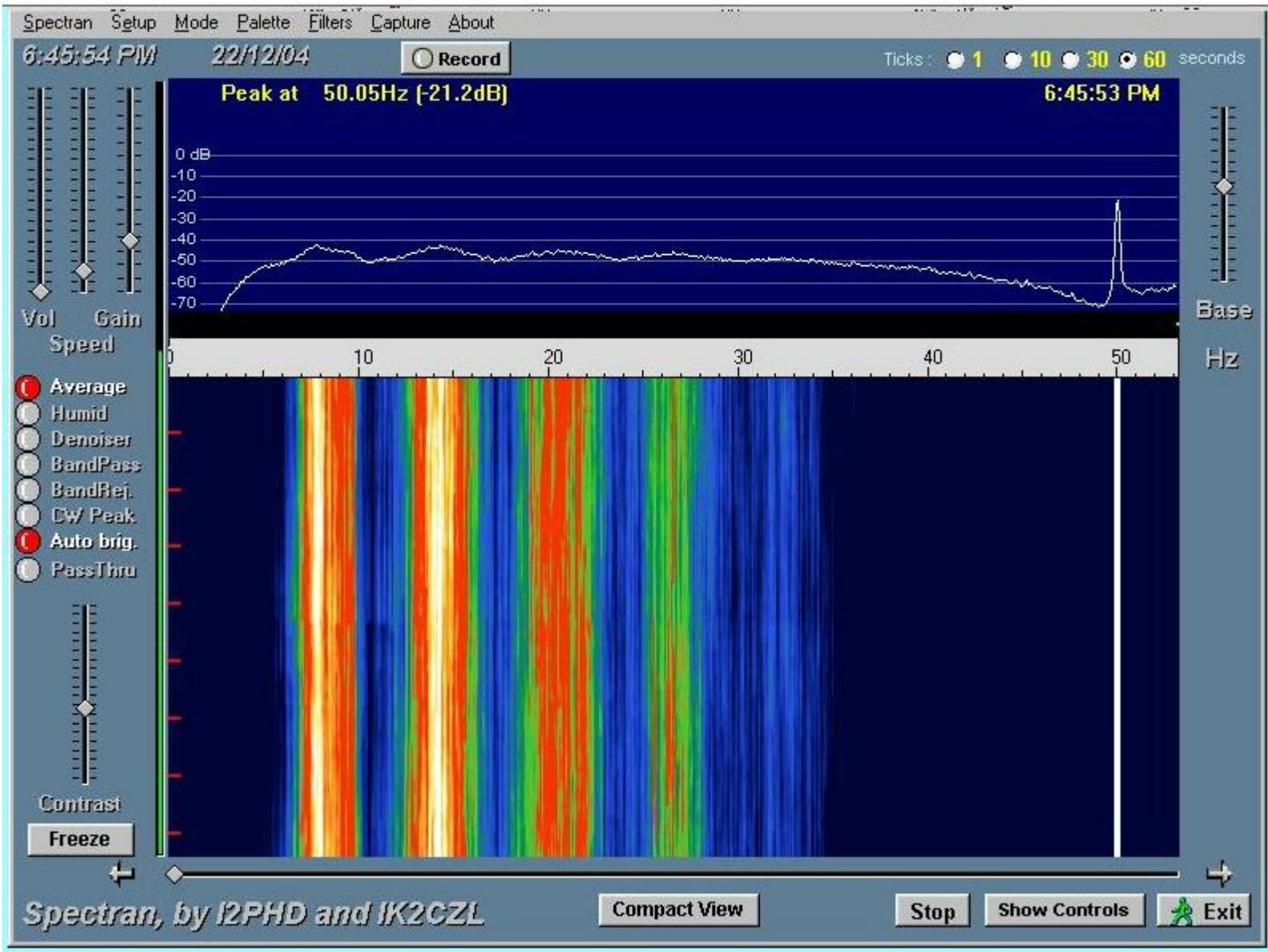












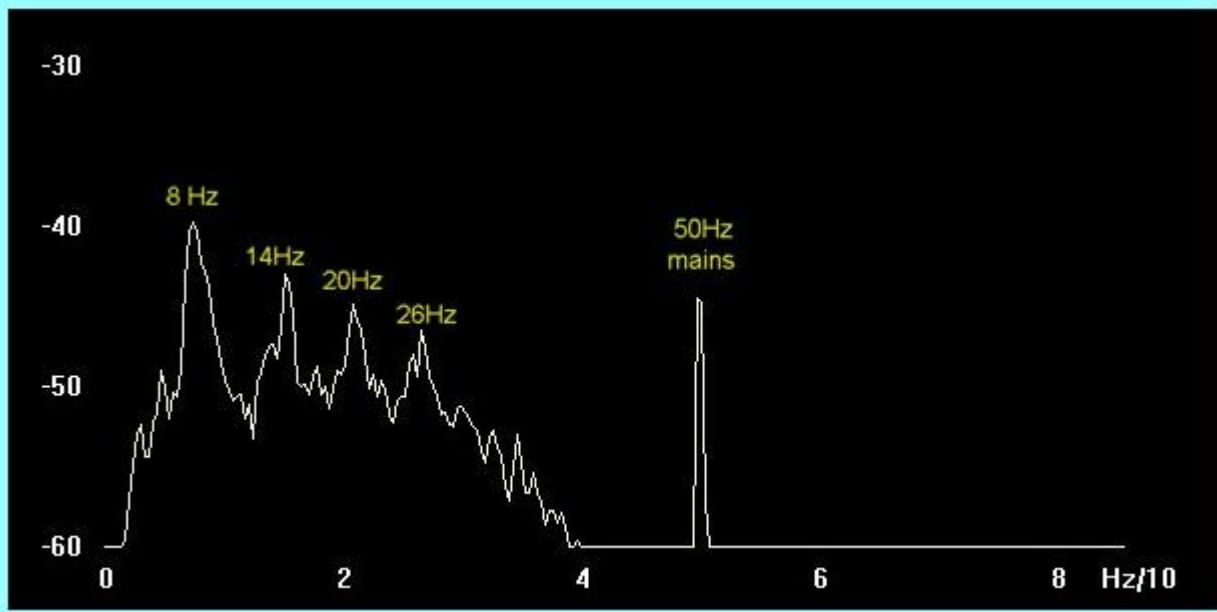
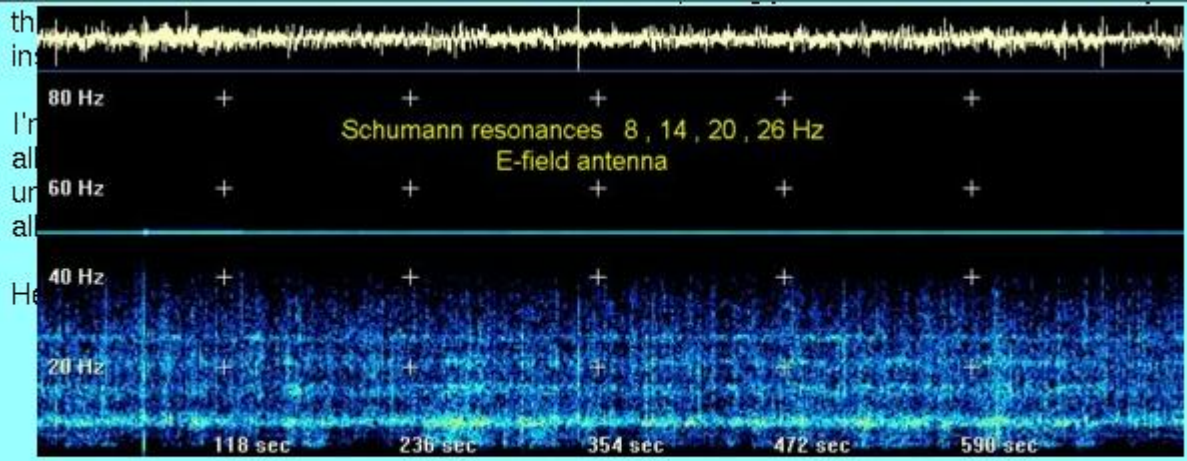
Spectran, by I2PHD and IK2CZL

Compact View

Stop

Show Controls

Exit

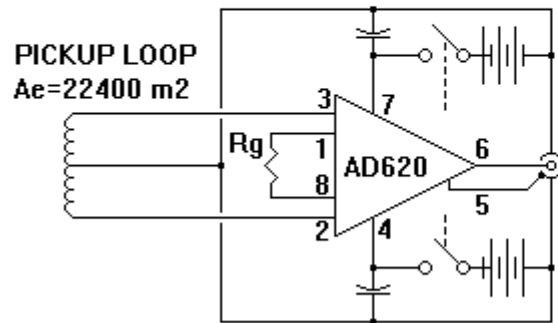




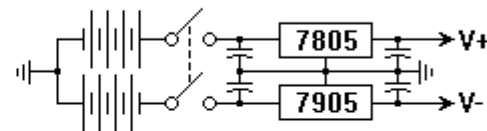
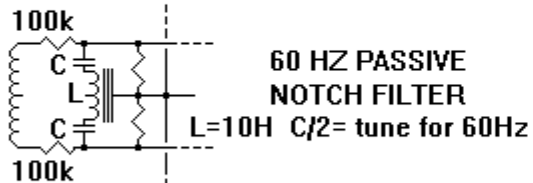
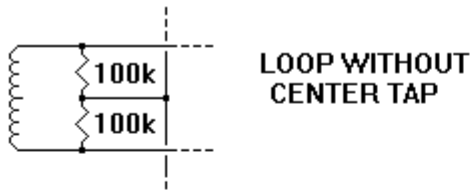
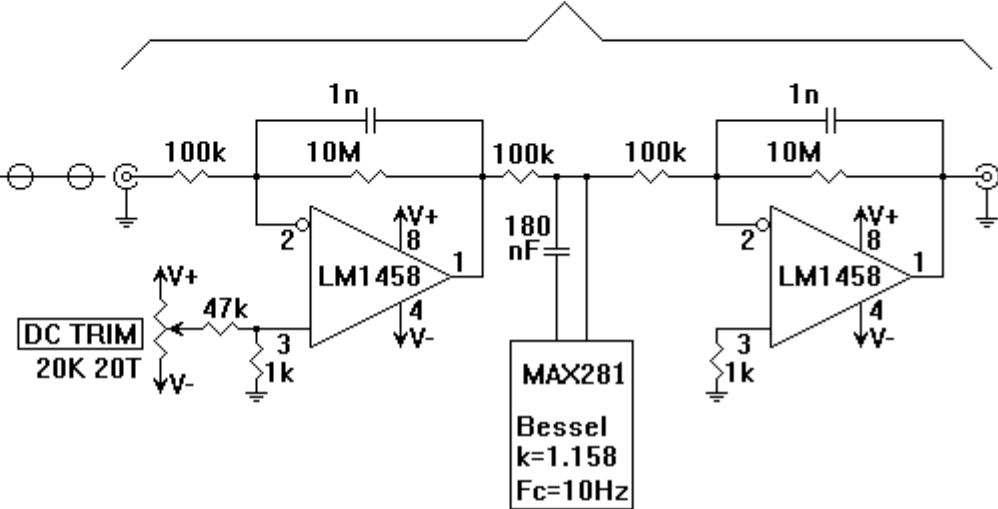
Mk IV ELF/ULF Receiver

William E. Payne
07-JUL-96

PREAMP



SIGNAL PROCESSING AMP

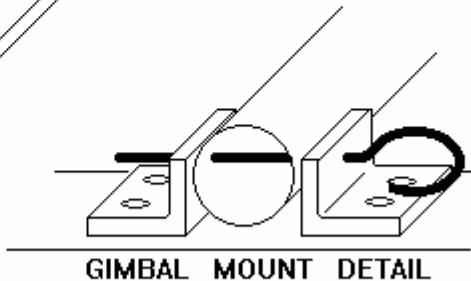
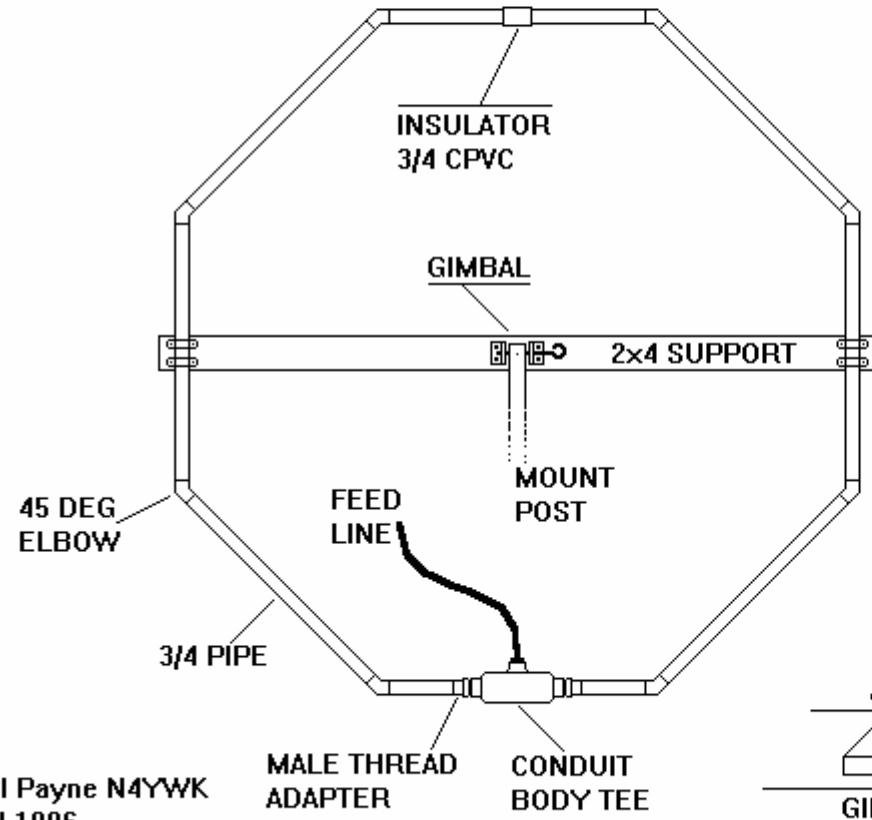


Mk IV ELF RECEIVER

W.E. Payne	www.altair.org
1996 JUL 07	altair@altair.org



OCTOLOOP ANTENNA CONSTRUCTION



Will Payne N4YWK
JAN 1996

WR-3 Natural VLF "Whistler" Receiver Information

F. H. H.

WR-3 photo by Brian Chase



Brain Chase shot this nice WR-3 picture at his home

F. H. H.